

iX Panel T4A

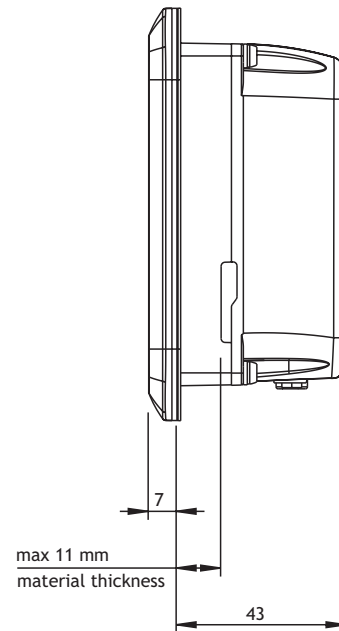
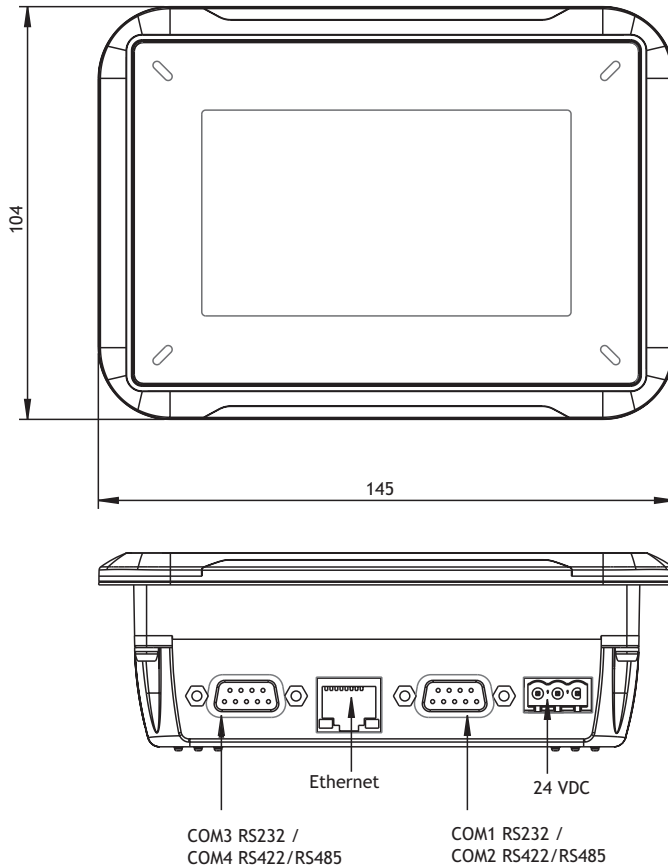
Compact 4.3" Display with Powerful Software

The 4.3" iX Panel T4A is a high-performance, compact panel with widescreen format and universal connectivity. Features include a 480 x 272 pixel high-resolution 4.3" TFT-display with resistive touch screen and iX Software for automation control.



Product Highlights

- ▶ 480 x 272 pixel, 4.3" diagonal, LED lighted, TFT color LCD display with touch screen
- ▶ 10/100Base-T Ethernet
- ▶ Four serial ports (RS-232, -422, -485)
- ▶ Powder-coated aluminum housing
- ▶ iX Software with protocols for most industrial automation controllers
- ▶ Optional CANbus interface



Dimensions shown in mm.

T4A Specifications

Feature	Detail	Description
Display	Type	480 x 272, TFT Color LCD
	Size	4.3" (109 mm) diagonal
	Lighting	White LED
	Brightness	350 cd/m2
Touch Screen	Type	Analog-resistive
Interface	Ethernet	1 x 10 Base-T / 100 Base-TX (shielded RJ 45)
	Serial	2 combined ports: RS-232/422/485
	USB	1 x USB 2.0 full-speed, 200 mA max
	Communication Modules (optional)	Two isolated CANbus ports (CiX-CAN), MPI (pending)
Processor	Type	ARM9 400 MHz
Memory	RAM	128 MB (DDR2)
	Flash	80 MB
	Expansion	One SD card (optional)
Realtime Clock	Standard	Battery-backed
Power	Input Voltage	+24 VDC (18-32 VDC)
	Consumption	3.6 Watts
Mechanical	Type	Panel-mount and VESA 50 x 50
	Size	145 (W) x 103 (H) x 49 (D) mm
	Cut-out Dimensions	128 x 87 mm
	Mass	0.5 kg
	Housing Material	Powder-coated aluminum

Environmental	Sealing - Front Panel	IP65
	Temperature	Operating: -10 to 60 °C; Storage: -20 to 70 °C
Certifications	UL	UL 508
	CE	EN61000-6-4, EN61000-6-2

Software	Development Environments	iX Developer
	Runtime Environments	iX Software



US Office

Beijer Electronics, Inc.
1865 West 2100 South
Salt Lake City, Utah 84119-1303 USA
www.BeijerInc.com / 1-801-466-8770

Headquarters

Beijer Electronics Products AB
P.O. Box 426
201 24 Malmö, Sweden
www.BeijerElectronics.com / +46 40 35 86 00

M01-065-00 REV 04
16 DECEMBER 2013

Copyright © 2012 Beijer Electronics. All rights reserved.

The information at hand is provided as available at the time of printing. Beijer Electronics reserves the right to change any information without updating this publication. Beijer Electronics does not assume any responsibility for any errors or omissions in this publication.