

# iX Panel T10A

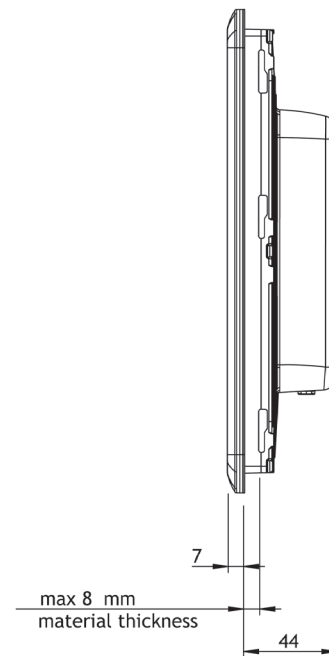
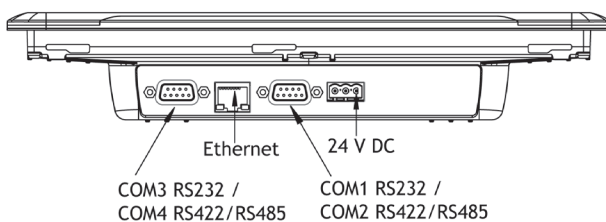
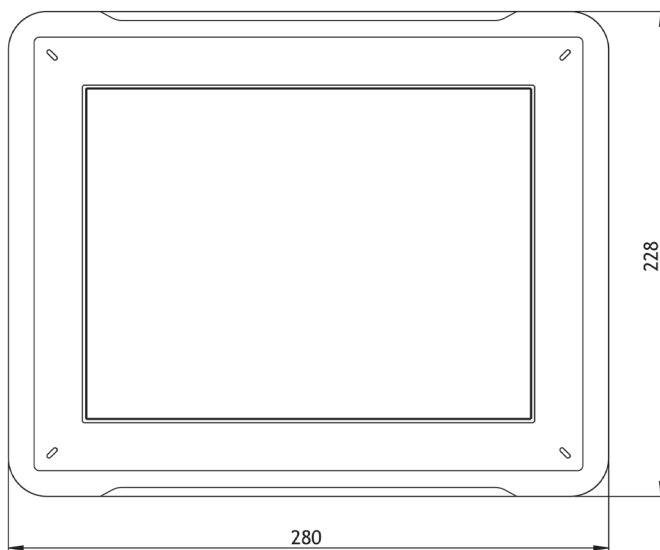
Large 10.4" Display with Powerful Software

The 10.4" iX Panel T10A is a high-performance, full-sized panel with universal connectivity. Features include a 640 x 480 pixel high-resolution 10.4" TFT-display with resistive touch screen and iX Software for automation control.



## Product Highlights

- ▶ 640 x 480 pixel, 10.4" diagonal, LED lighted, TFT color LCD display with touch screen
- ▶ 10/100Base-T Ethernet
- ▶ Four serial ports (RS-232, -422, -485)
- ▶ Optional CANbus interface
- ▶ Powder-coated aluminum housing
- ▶ iX Software with protocols for most industrial automation equipment



Dimensions shown in mm.

## iX Panel T10A Specifications

Feature	Detail	Description
Display	Type	640 x 480, TFT Color LCD
	Size	10.4" (264 mm) diagonal
	Lighting	White LED
	Brightness	450 cd/m2
Touch Screen	Type	Analog-resistive
Interface	Ethernet	1 x 10 Base-T / 100 Base-TX (shielded RJ 45)
	Serial	2 combined ports: 2 x RS-232, 2 x 422/485
	USB	1 x USB 2.0 full-speed, 200 mA max
	Communication Modules (Optional)	Two isolated CANbus ports (CiX-CAN), MPI (pending)
Processor	Type	ARM9 400 MHz
Memory	RAM	128 MB (DDR2)
	Flash	80 MB
	Expansion	One SD card (optional)
Realtime Clock	Standard	Battery-backed
Power	Input Voltage	+24 VDC (18-32 VDC)
	Consumption	9.6 Watts
Mechanical	Type	Panel-mount and VESA 75 x 75
	Size	280 (W) x 228 (H) x 51 (D) mm
	Cut-out Dimensions	262 x 209 mm
	Mass	1.5 kg
	Housing Material	Powder-coated aluminum

Environmental	Sealing - Front Panel	IP65
	Temperature	Operating: -10 to 60 °C; Storage: -20 to 70 °C
Certifications	UL	UL 508
	CE	EN61000-6-4, EN61000-6-2

Software	Development Environments	iX Developer
	Runtime Environments	iX Software



### US Office

Beijer Electronics, Inc.  
1865 West 2100 South  
Salt Lake City, Utah 84119-1303 USA  
www.BeijerInc.com / 1-801-466-8770

### Headquarters

Beijer Electronics Products AB  
P.O. Box 426  
201 24 Malmö, Sweden  
www.BeijerElectronics.com / +46 40 35 86 00

M01-063-00 REV 04  
16 DECEMBER 2013

Copyright © 2013 Beijer Electronics. All rights reserved.

The information at hand is provided as available at the time of printing. Beijer Electronics reserves the right to change any information without updating this publication. Beijer Electronics does not assume any responsibility for any errors or omissions in this publication.